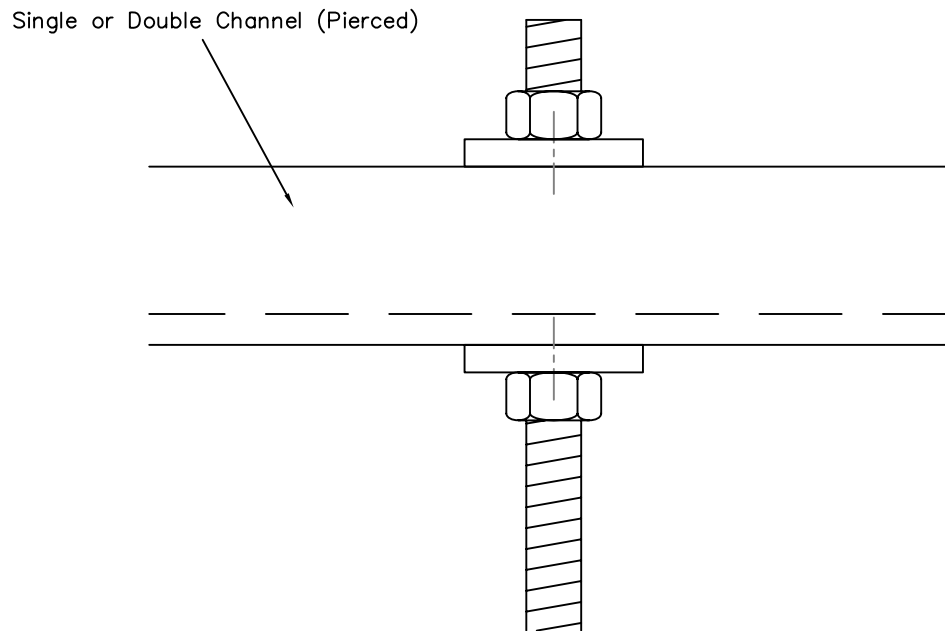
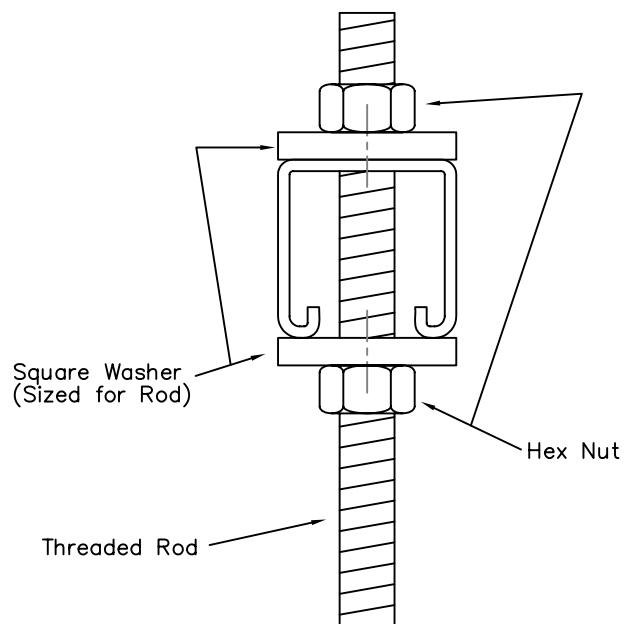


These drawings and specifications are the proprietary property of Unistrut Corporation and shall not be reproduced, copied or used in any manner without the written consent of Unistrut Corporation.

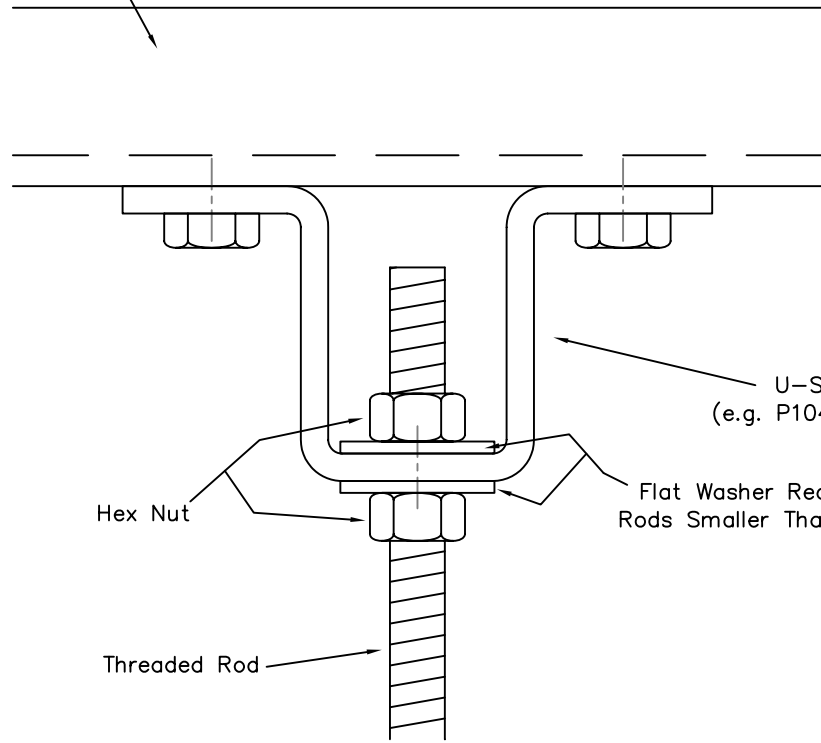
			TOLERANCES UNLESS OTHERWISE NOTED	UNISTRUT CORPORATION 4205 Elizabeth Street, Wayne, MI 48184 (734) 721-4040		MATERIAL
				DECIMAL ±.063 FRACTION ±1/16	DR. DJJ	CKD
NO	DATE	DESCRIPTION	STD. FIN.	Threaded Rod Attachment to Single or Double Channel Fixed Connection		PART NO.
REVISIONS			WEIGHT EA.			DRAWING NO.
NEXT ASSEMBLY			LBS KG			07-086 Sheet 1



These drawings and specifications are the proprietary property of Unistrut Corporation and shall not be reproduced, copied or used in any manner without the written consent of Unistrut Corporation.

			TOLERANCES UNLESS OTHERWISE NOTED	UNISTRUT CORPORATION		MATERIAL
				4205 Elizabeth Street, Wayne, MI 48184 (734) 721-4040		
			DECIMAL ±.063 FRACTION ±1/16	SCALE NTS	PROD. CODE	PART NO.
NO	DATE	DESCRIPTION		DR. DJJ	CKD	
REVISIONS			STD. FIN.	Threaded Rod Attachment to Single or Double Channel Adjustable Connection		DRAWING NO. 07-086 Sheet 2
NEXT ASSEMBLY			WEIGHT EA. LBS KG			

Single or Double Channel (Solid)



Note: U-Shape Fittings Have 9/16" ϕ Holes

These drawings and specifications are the proprietary property of Unistrut Corporation and shall not be reproduced, copied or used in any manner without the written consent of Unistrut Corporation.

			TOLERANCES UNLESS OTHERWISE NOTED	UNISTRUT CORPORATION		MATERIAL
				4205 Elizabeth Street, Wayne, MI 48184 (734) 721-4040		
				SCALE NTS	PROD. CODE	
NO	DATE	DESCRIPTION	DECIMAL ± 0.063 FRACTION $\pm 1/16$	DR. DJJ	CKD	DATE 28MAR07
REVISIONS			STD. FIN.	Threaded Rod Attachment to Single or Double Channel Adjustable Connection		PART NO.
NEXT ASSEMBLY			WEIGHT EA.			DRAWING NO.
			LBS KG			07-086 Sheet 3