

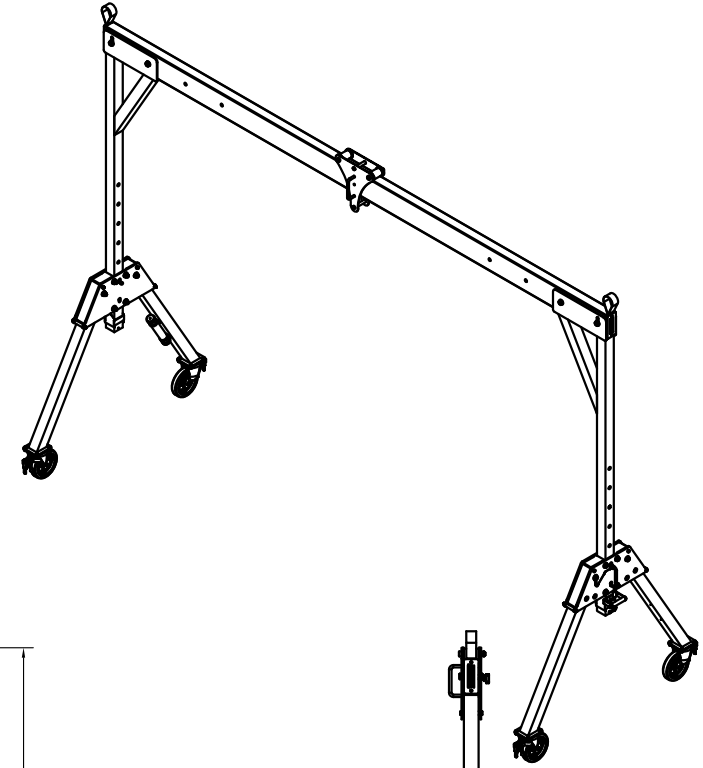
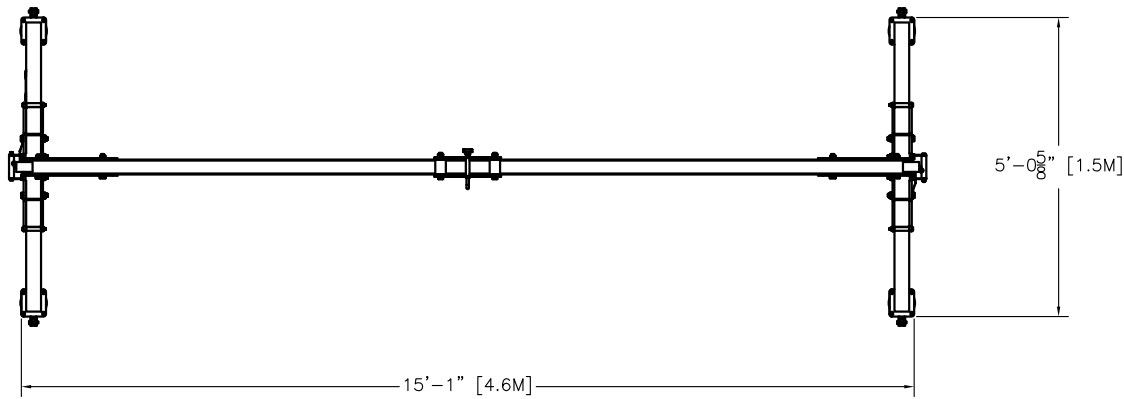
PRODUCT
GANTRY

PART NAME
GANTRY ASSY, 15 FT. (ACTUAL)

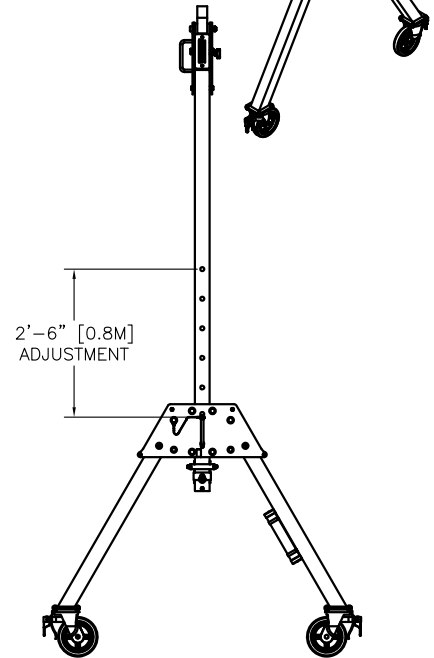
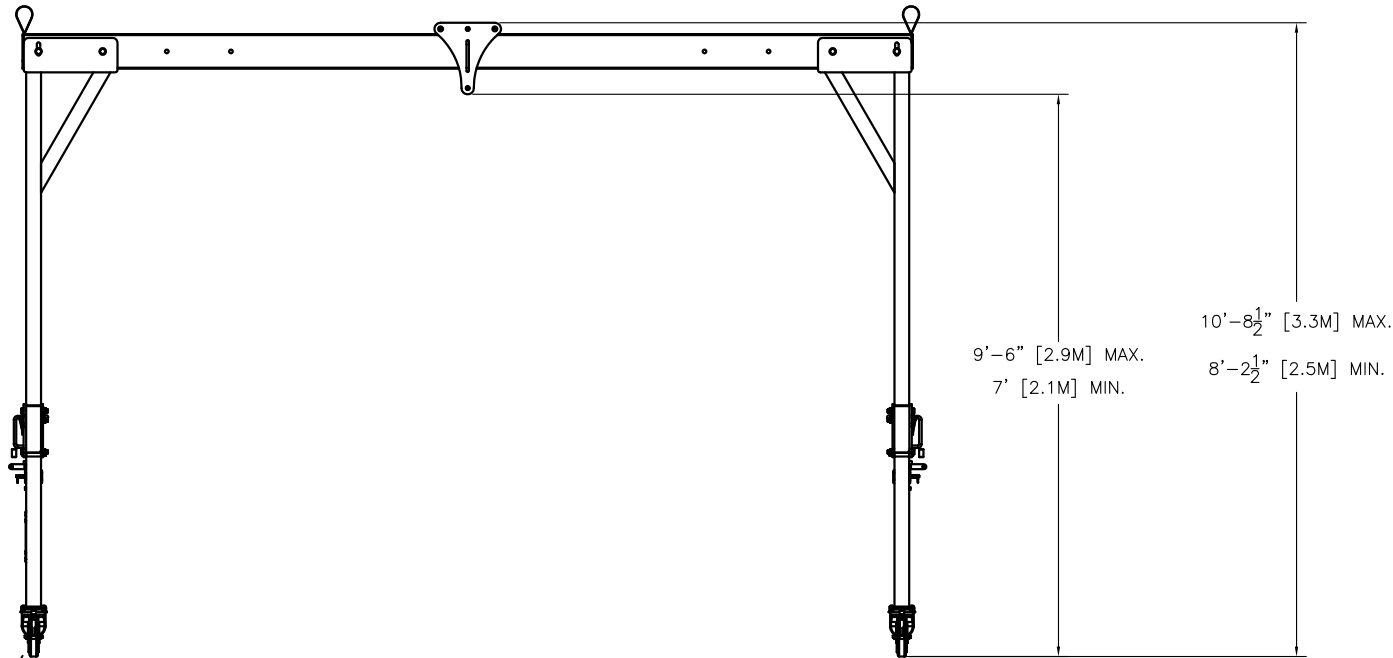
PARTS/UNIT
1

PART NO.
785100

REV.



785100



N/A

MATERIAL

MATERIAL CODE

TOLERANCES

3 PLA. DEC. \pm .010	ANGLES \pm 1/2 DEG.
2 PLA. DEC. \pm .03	FRACTIONS \pm .03
1 PLA. DEC. \pm .06	FINISH

SCALE

NONE

DWN. BY

MDD

DATE

MM/DD/YY

SUMNER MFG. CO.