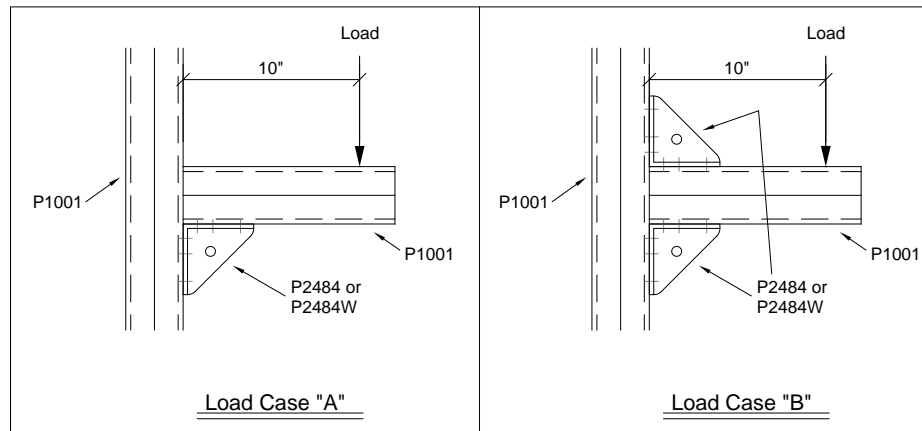


Part Description: P2482 & P2484W Brackets – Moment Capacity
Report Date: December 13, 2005



Part Number	Load Case	Min. Ult Load (lbs)	Moment (in-lbs)		Ave. Deflection at Design Moment
			Min.. Ult.	Design	
P2484	A	1,030	10,300	3,400	0.126"
	B	3,400	34,000	11,300	0.149"
P2484W	A	1,150	11,500	3,800	0.112"
	B	4,800	48,000	16,000	0.180"

NOTES

1. Minimum Ultimate Loads from Test Reports C-93 & C-94
2. Safety Factor of 3 for Design Moment
3. Tests used (2) 1/2"-13 channel nut and cap screw torqued to 50 ft-lbs in each leg
4. Bolts can be located in any 2 of the 3 leg holes

Unistrut Engineering