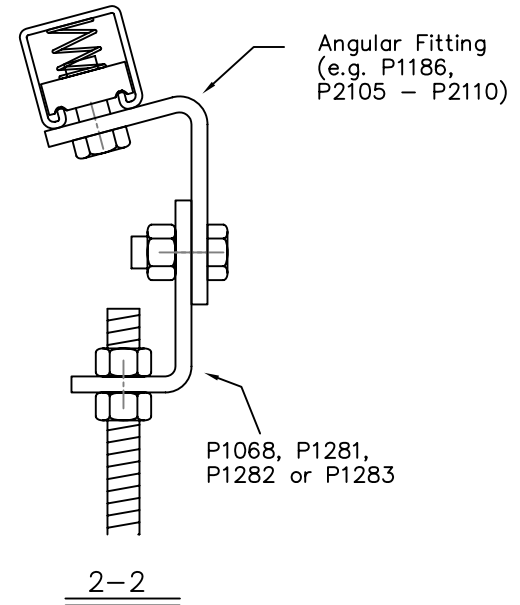
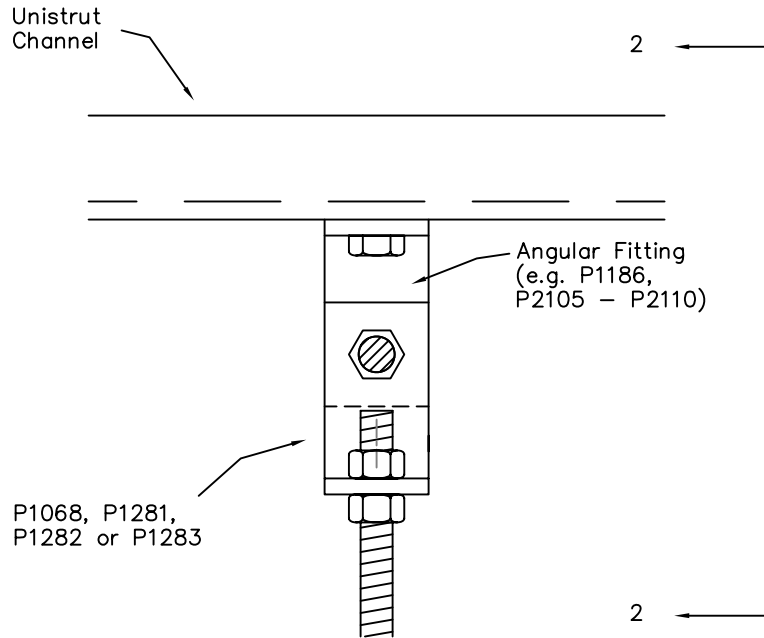


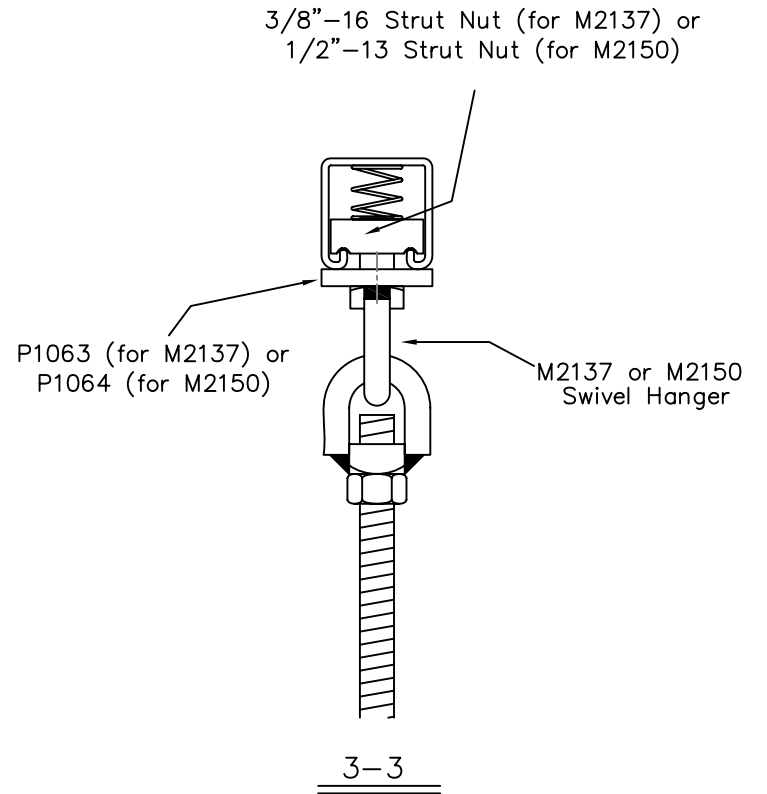
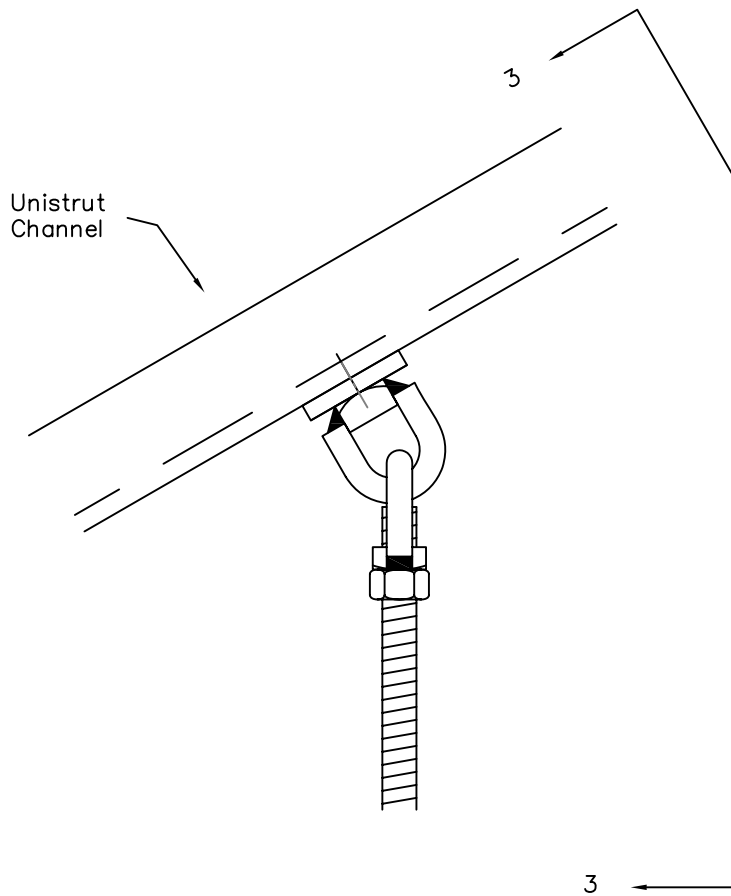
These drawings and specifications are the proprietary property of Unistrut Corporation and shall not be reproduced, copied or used in any manner without the written consent of Unistrut Corporation.

			TOLERANCES UNLESS OTHERWISE NOTED	<b>UNISTRUT CORPORATION</b>		MATERIAL
				4205 Elizabeth Street, Wayne, MI 48184 (734) 721-4040		
			DECIMAL ±.063 FRACTION ±1/16	SCALE	NTS	PROD. CODE
NO	DATE	DESCRIPTION		DR. DJJ	CKD	DATE 03AUG07
REVISIONS			STD. FIN.	Vertical Rod Connection to Rotated Unistrut Channel		DRAWING NO.
NEXT ASSEMBLY			WEIGHT EA.			07-151 Sheet 1
				LBS		
				KG		



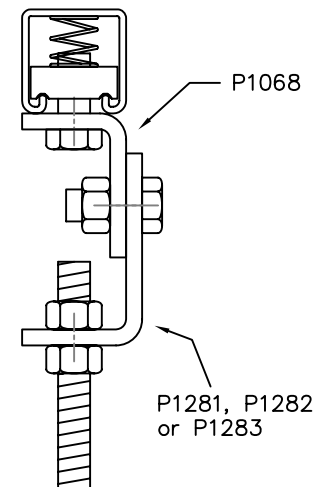
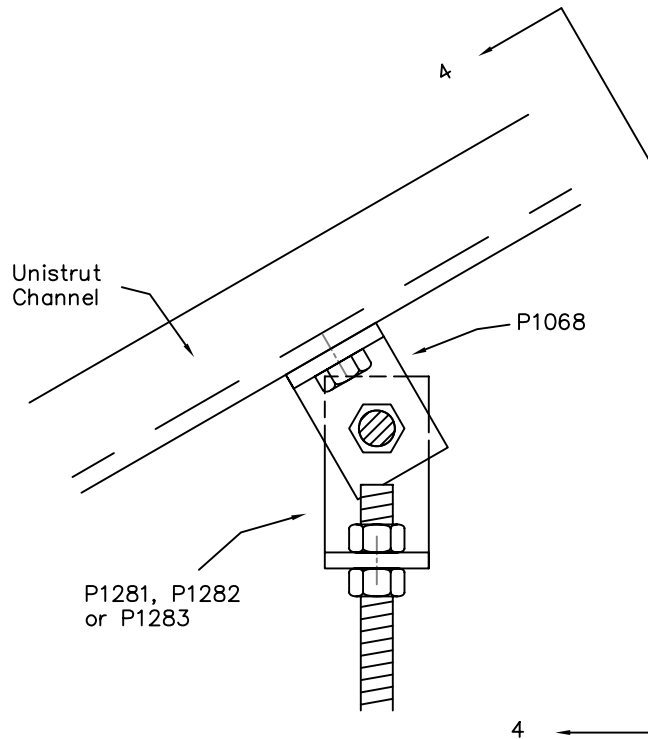
These drawings and specifications are the proprietary property of Unistrut Corporation and shall not be reproduced, copied or used in any manner without the written consent of Unistrut Corporation.

			TOLERANCES UNLESS OTHERWISE NOTED	<b>UNISTRUT CORPORATION</b>		MATERIAL
				4205 Elizabeth Street, Wayne, MI 48184 (734) 721-4040		
			DECIMAL ±.063 FRACTION ±1/16	SCALE NTS	PROD. CODE	PART NO.
NO	DATE	DESCRIPTION		DR. DJJ	CKD	
REVISIONS			STD. FIN.	Vertical Rod Connection to Rotated Unistrut Channel		DRAWING NO. 07-151 Sheet 2
NEXT ASSEMBLY			WEIGHT EA. LBS KG			



These drawings and specifications are the proprietary property of Unistrut Corporation and shall not be reproduced, copied or used in any manner without the written consent of Unistrut Corporation.

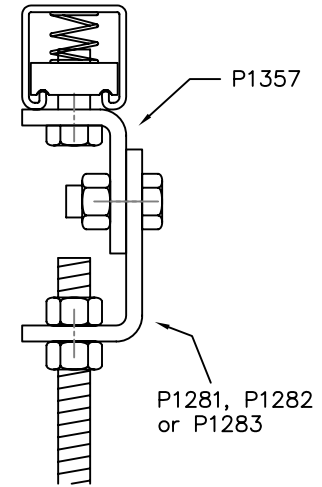
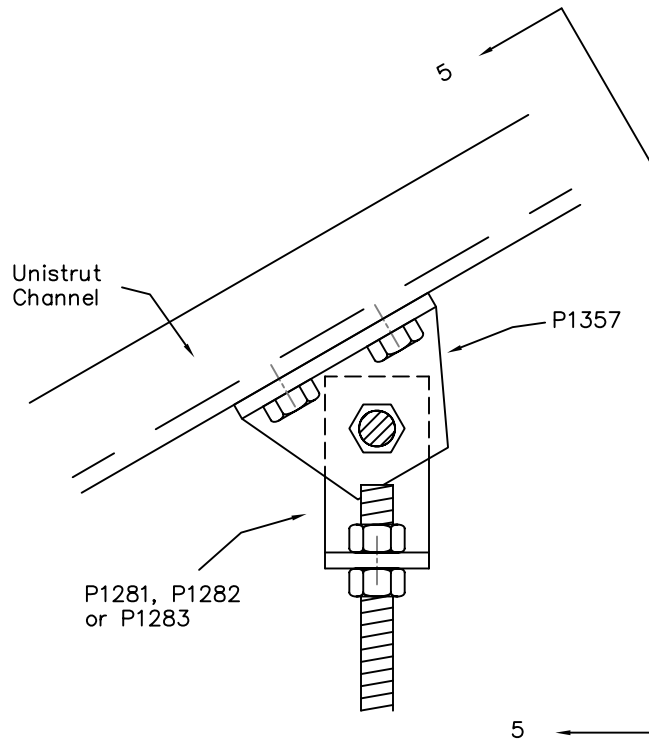
			TOLERANCES UNLESS OTHERWISE NOTED	<b>UNISTRUT CORPORATION</b>			MATERIAL
				4205 Elizabeth Street, Wayne, MI 48184 (734) 721-4040			
				SCALE <b>NTS</b>	PROD. CODE		PART NO.
NO	DATE	DESCRIPTION	DR. <b>DJJ</b>	CKD	DATE <b>03AUG07</b>		
REVISIONS			STD. FIN.	Vertical Rod Connection to Sloped Unistrut Channel			DRAWING NO. <b>07-151 Sheet 3</b>
NEXT ASSEMBLY			WEIGHT EA.				
			LBS KG				



4-4

These drawings and specifications are the proprietary property of Unistrut Corporation and shall not be reproduced, copied or used in any manner without the written consent of Unistrut Corporation.

			TOLERANCES UNLESS OTHERWISE NOTED	<b>UNISTRUT CORPORATION</b>		MATERIAL
				4205 Elizabeth Street, Wayne, MI 48184 (734) 721-4040		
			DECIMAL ±.063 FRACTION ±1/16	SCALE NTS		PART NO.
				PROD. CODE		
NO	DATE	DESCRIPTION	STD. FIN. WEIGHT EA.	DR. DJJ	CKD	DRAWING NO. 07-151 Sheet 4
REVISIONS				DATE 03AUG07		
NEXT ASSEMBLY			LBS KG	Vertical Rod Connection to Sloped Unistrut Channel		



5-5

These drawings and specifications are the proprietary property of Unistrut Corporation and shall not be reproduced, copied or used in any manner without the written consent of Unistrut Corporation.

			TOLERANCES UNLESS OTHERWISE NOTED	<b>UNISTRUT CORPORATION</b>		MATERIAL
				4205 Elizabeth Street, Wayne, MI 48184 (734) 721-4040		
			DECIMAL ±.063 FRACTION ±1/16	SCALE	NTS	PROD. CODE
NO	DATE	DESCRIPTION		DR. DJJ	CKD	DATE 03AUG07
REVISIONS			STD. FIN.	Vertical Rod Connection to Sloped Unistrut Channel		DRAWING NO.
NEXT ASSEMBLY			WEIGHT EA.			07-151 Sheet 5
				LBS		
				KG		