



FENCE

INSTRUCTION MANUAL

JUNE 2014

Product Information.....02
Carry Handle Instructions.....03
Installation.....05
Dismantling.....07
Starter Fence.....09
Corner Option.....10
Horizontal Gate.....12
Fence Boot.....14
Safety Checks.....16

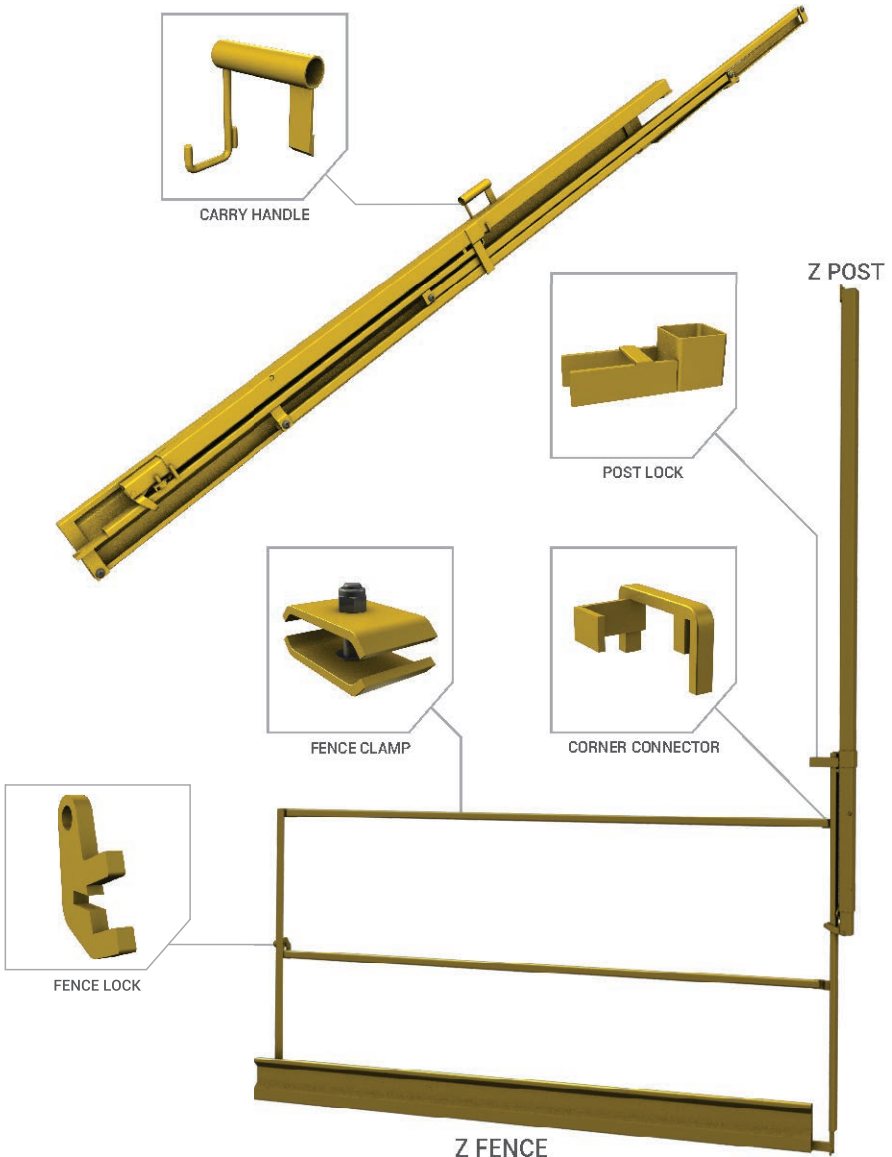
DISCLAIMER: For specific use, loads, codes, installation options, refer to your local area safety code requirement and contact Integrity Worldwide Inc. for verification.



02 PRODUCT INFORMATION

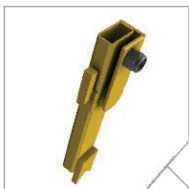
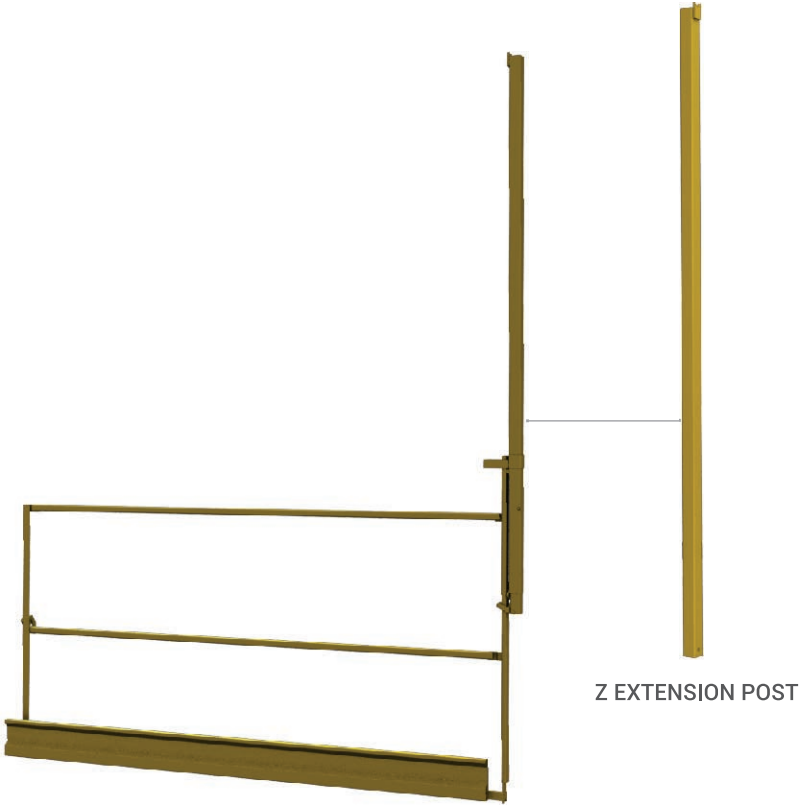
ONE PACK INCLUDES:

- 1 Z Crate
- 54 Z Fences with Posts (for ceiling heights of 7'10"-10')
- 1 Carry Handle
- 6 Fence Clamps
- 2 Corner Connectors
- 1 Zip Ties (package of 25)

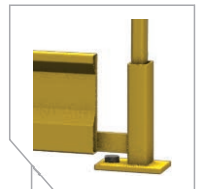
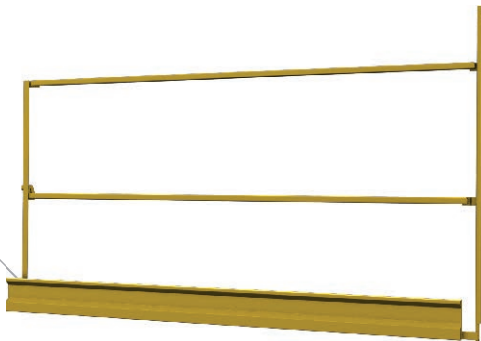


OPTIONAL PARTS:

- Z-Extension post (for ceilings heights of 10' - 14')
- Stair Riser
- Fence Boot (used where ceiling is not accessible)

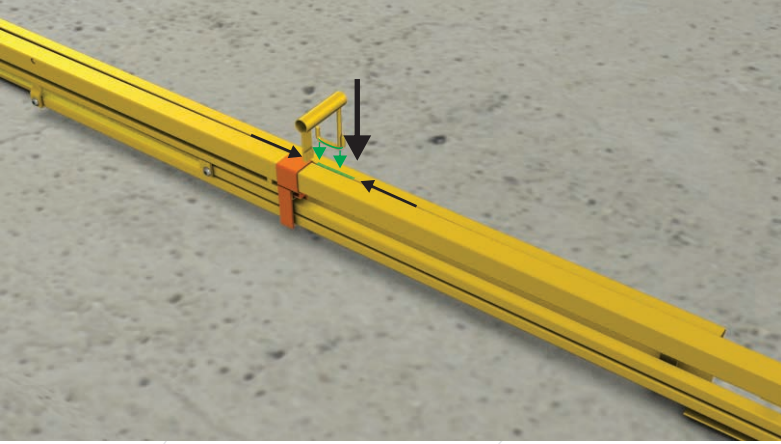


STAIR RISER

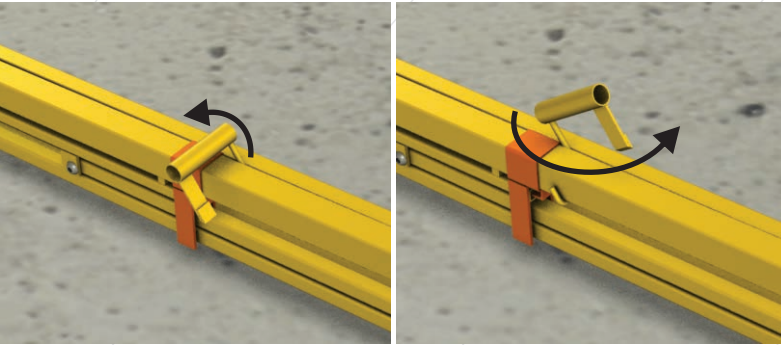


FENCE BOOT

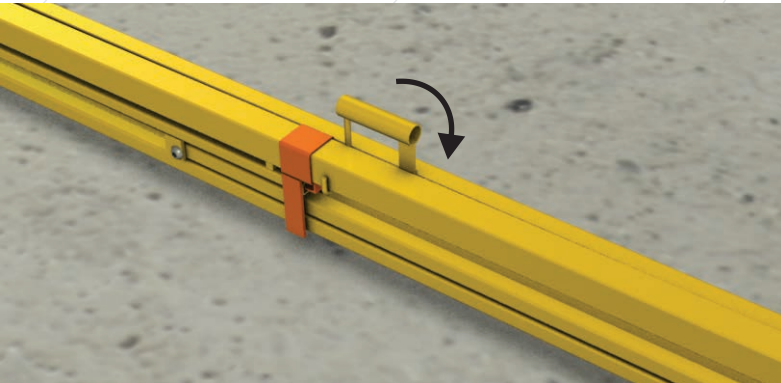
04 CARRY HANDLE INSTRUCTIONS



Attach Carry Handle onto the center of the fence, just next to the Post Lock, on the side closer to the post top. The Carry Handle should be between the kickboard and post.



Once inserted, tilt Carry Handle towards the Post Lock. While tilted, rotate it counter clockwise.



Tilt Carry Handle into place, making sure that it is hooked to both the post and the kickboard.



Using the Carry Handle, lift Z Fence and move it to the installation position.

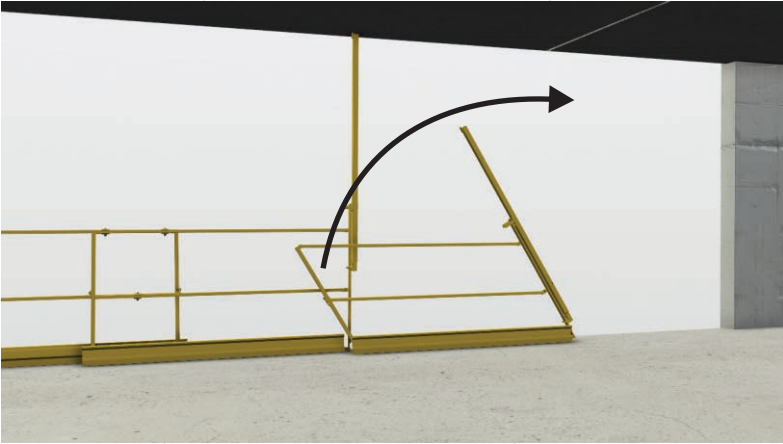


Remove Carry Handle by following the steps for attaching, but in reverse order.

06 INSTALLATION OF THE Z FENCE



Ensure Post Lock is in position on fence.



Raise post until it is in upright position.

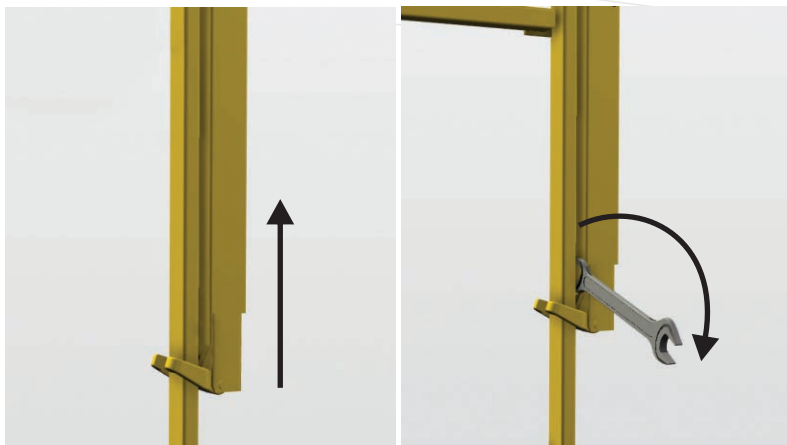


Raise Post Lock and spread post and fence evenly apart.

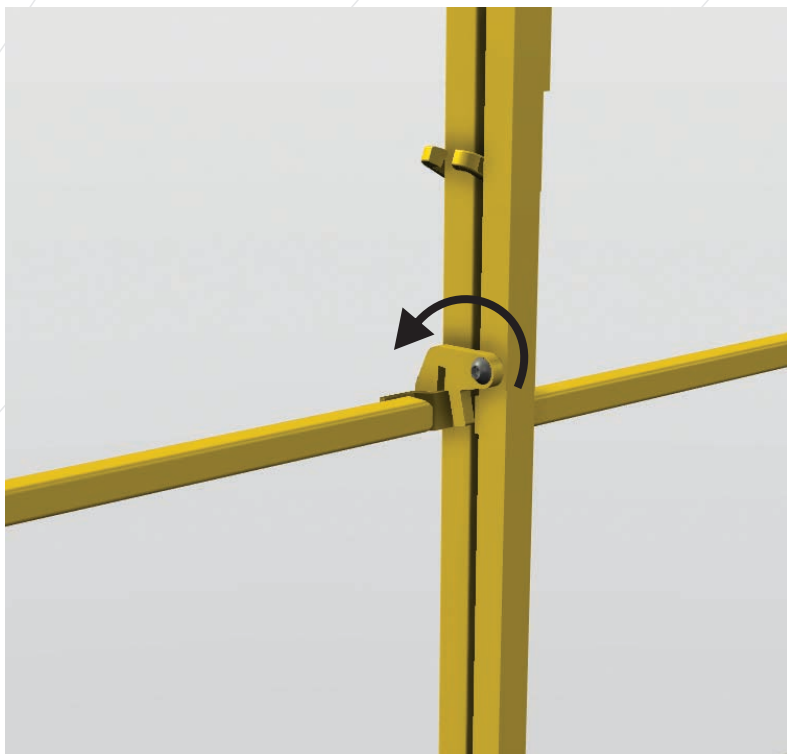


Latch Post Clip onto pin to load spring.

* For easier sliding, raise Post Lock, shift post forward and backwards and lower Post Lock back into position.

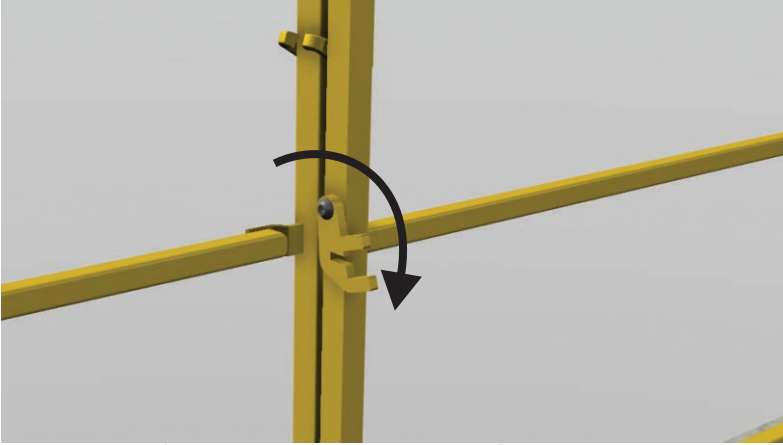


Raise post to ceiling. Using $\frac{3}{4}$ " wrench in a downward motion, release post clip.

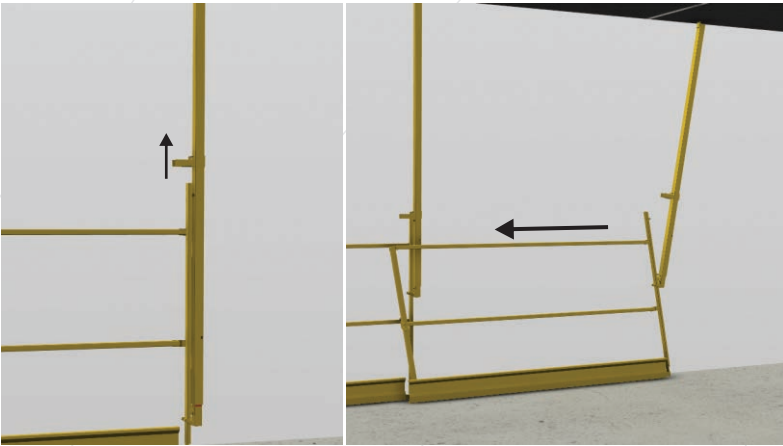


Attach the Fence Lock to previous fence.

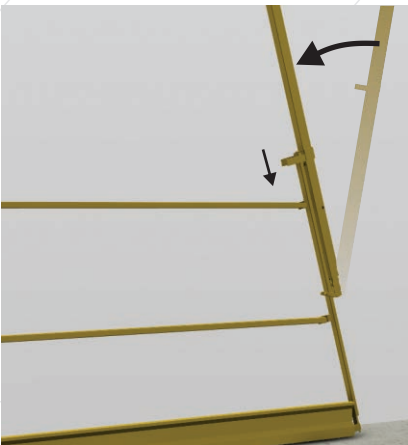
08 DISMANTLING OF THE Z FENCE



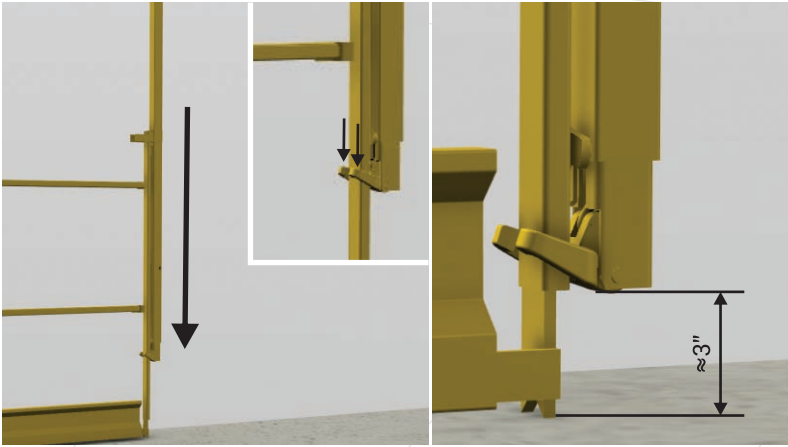
Detach the Fence Lock.



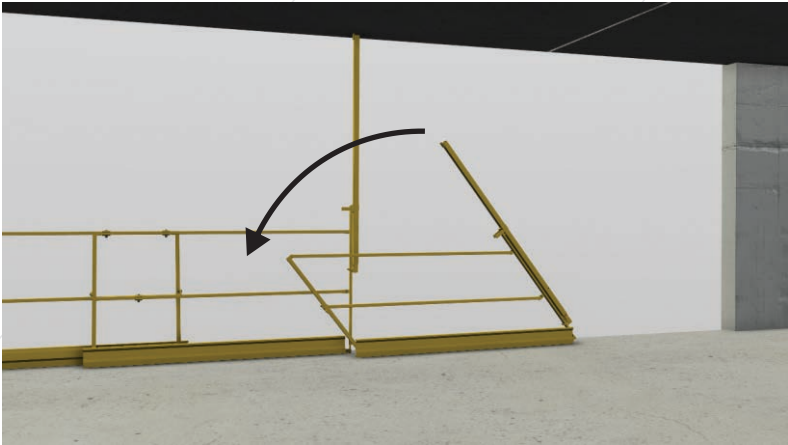
Raise Post Lock and release post tension by shifting Handrail away from post.



Drop post back onto fence and slide Post Lock back into secure position.



Position yourself with one hand on either side of C-Ring with post resting on shoulder. Push down on C-ring to release and slide post back down fence, stopping just above foot, around 3" from the floor. For easier sliding, raise Post Lock, shift post forward and backwards and lower Post Lock back into position.



Fold the fence down into a closed position.

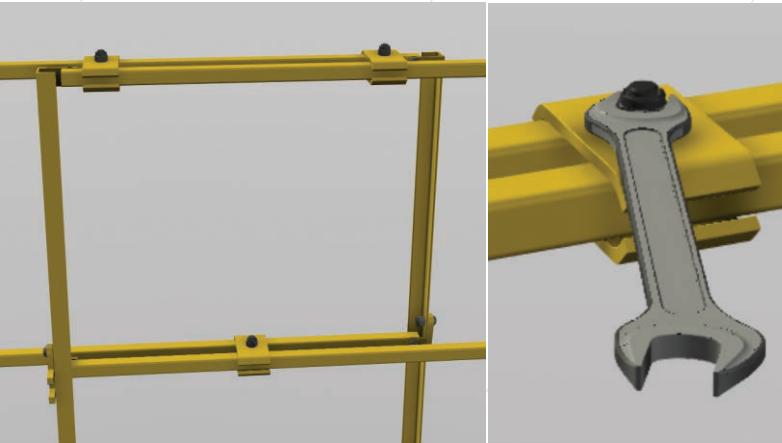
10 STARTER FENCE INSTALLATION OPTION



Install the first fence, positioning the Z Post on the left side.



Install the second fence in regular position with the Z Post on the right side with an overlap of no less than 2'.



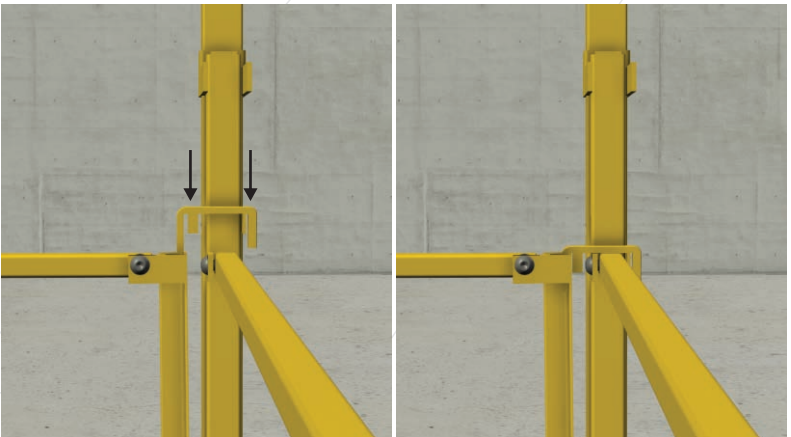
Join fences together by putting two Fence Clamps evenly spaced on the Handrail, and one in the center of the Mid-rail. Tighten the Fence Clamp with a $\frac{3}{4}$ " wrench.



Install the fence in regular position with the Z Post on the right hand side.

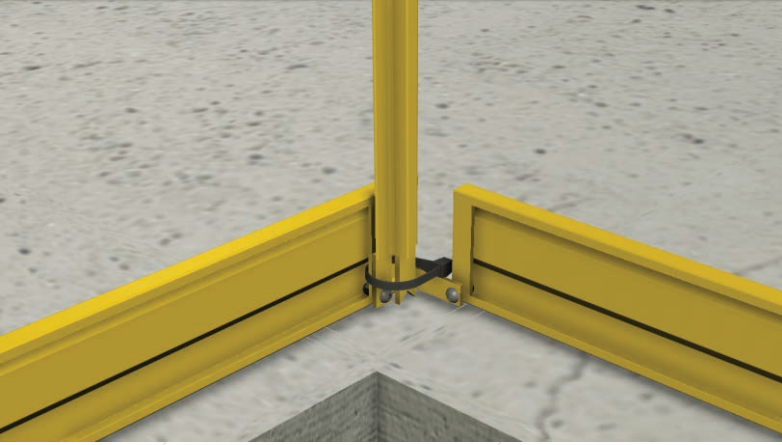


Place the second fence at a 90° angle position to the first fence post, and proceed with regular install.

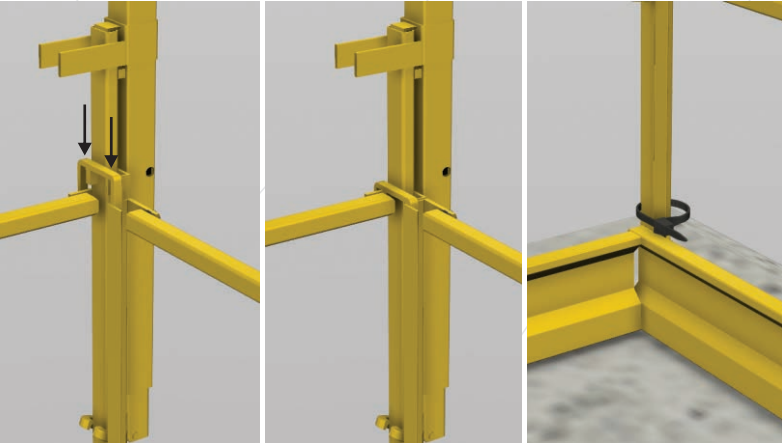


Using the Corner Connector, attach the fences together at the handrail.

12 CORNER INSTALLATION OPTION



Tighten a Zip-tie around the adjacent fence posts.



Follow the same installation procedure for external corners.



Install fences in regular position.



Detach the Fence Locks from gate fence and adjacent fence.



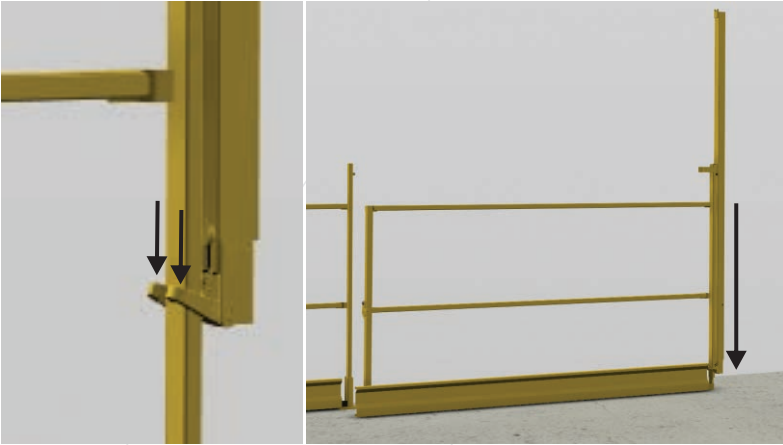
Open the gate fence to a maximum of a 90° angle.



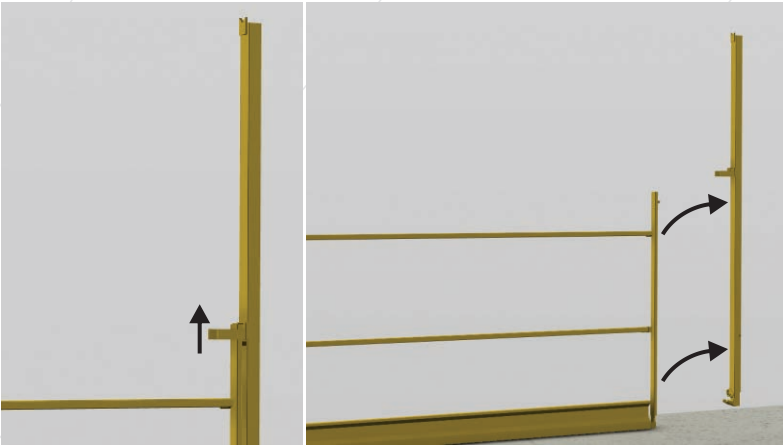
To close the gate, swing fence back into position and lock with Fence Locks.

14 FENCE BOOT INSTALLATION OPTION

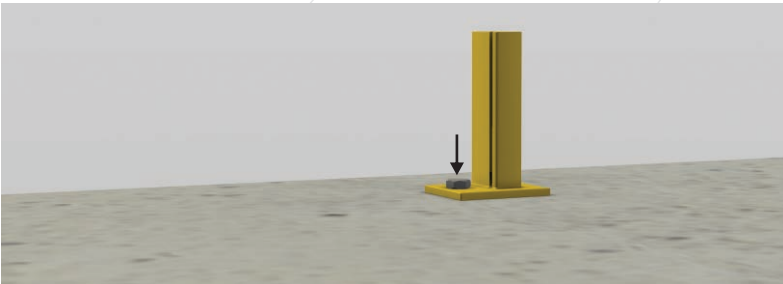
Fence Boot is used when there is no ceiling available, or the installation using Z Post or Z-Extension Post is impossible.



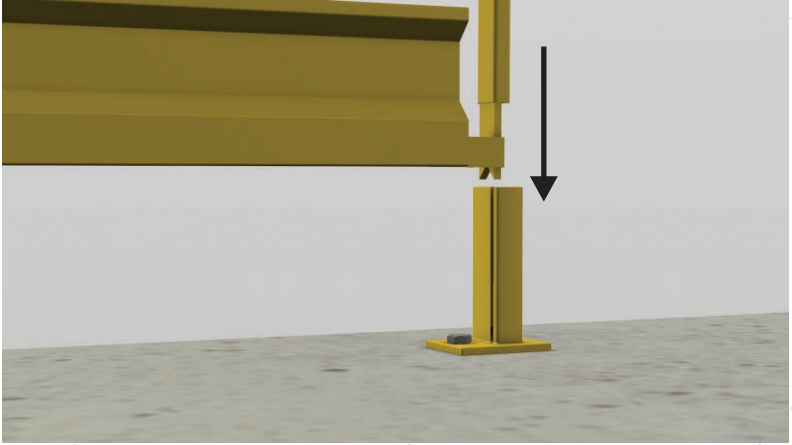
To install fence using the Fence Boot, Fence Post must be detached first. Push down on C-ring to release and slide post back down fence, removing it from the fence completely when it reaches the bottom.



Slide Post Lock upwards and detach the Z Post completely from the fence.



Place Fence Boot where the end of the fence will be positioned and secure it to concrete.



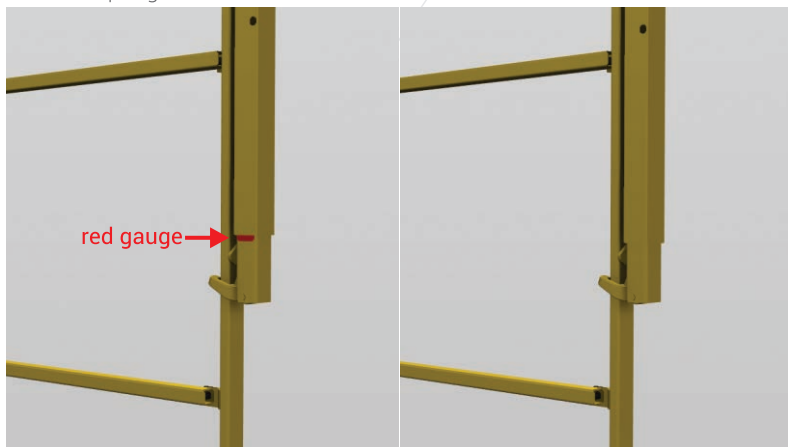
Insert the end of the fence into designated slot on the Fence Boot and make sure it reaches the bottom.



Continue installing fences following the same installation procedure.

16 SAFETY CHECKS

To install the post correctly, ensure the post reaches the ceiling. If the post was incorrectly positioned, red gauge at the bottom of the post will appear after the spring has been activated.



Incorrectly installed.

Correctly installed.



Incorrectly installed.

Correctly installed.



Integrity Worldwide Inc.

3310 Mainway, Burlington, Ontario
L7M 1A7, Canada

PHONE: +1 905 631 8433

FAX: +1 905 631 3150

info@iwwinc.ca | www.iwwinc.ca