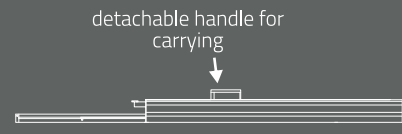
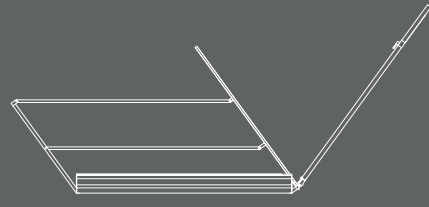


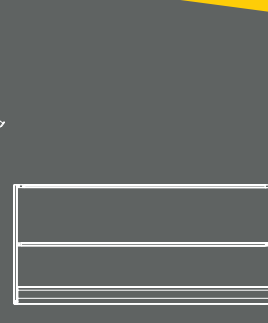
## QUICK INSTALLATION



step1  
carry to location



step2  
unfold fence and load post spring



step3  
raise post to height and activate spring

continuous interlocking

overlapping fence

corner connection



IWW launches a totally new REVOLUTION in edge protection that has never been constructed before.

Specifically designed for buildings with limited ground and floor space, the Z Fence compacts taking up 19% less footage than lumber. It is 32% lighter to handle than lumber and can be used in conjunction with drill fix post, embedded sleeve anchors, or with slab grabs.

The cost-effectiveness of using the Z Fence versus lumber/cable/net systems is clearly demonstrated when accurate estimates are undertaken. They clearly show that the Z-Fence system's life span and integrity is what makes it a superior product and creates long term cost savings.

### HEAD OFFICE

3310 Mainway, Burlington  
Ontario L7M 1A7, Canada

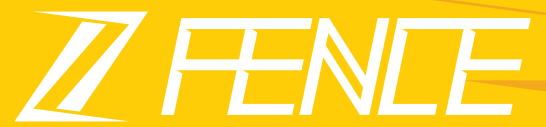
tel. +1 905 631 8433 | fax. +1 905 631 3150



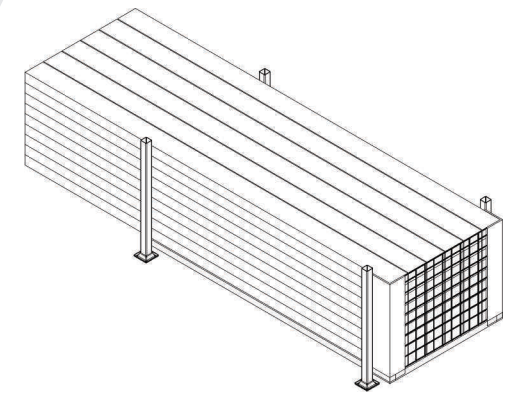
# FENCE

reinventing edge protection

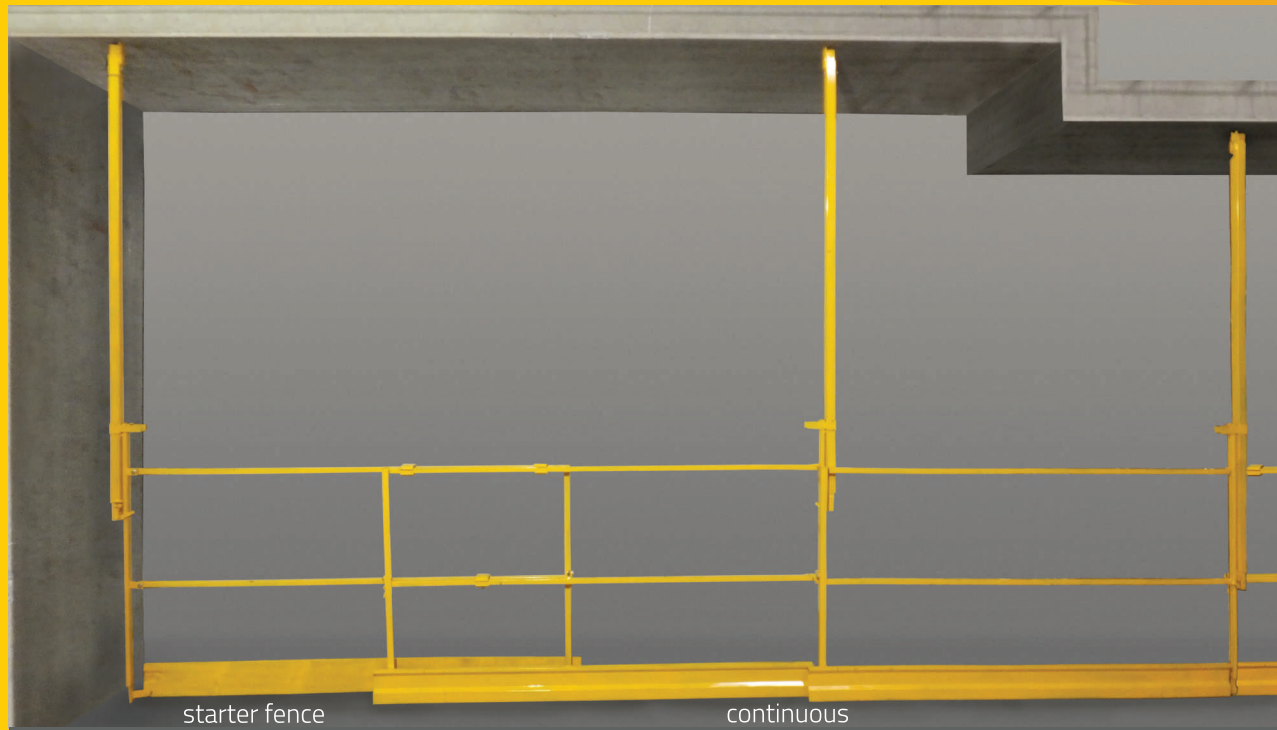
Z BOOT - free stand option



## Z FENCE



One pack includes 1 crate and 54 Z FENCES with post for a total of 378 Linear Feet of Perimeter Edge Protection.



## Z FENCE



## Z FENCE on stairs

## Z FENCE VS. 2x4

	Z FENCE	2x4
Dimensions	10.5' x 6" x 3"	/
<b>Volume (per LF)</b>	<b>0.22 ft³</b>	<b>0.27 ft³</b>
Volume (per pack)	83.16 ft³	106.95 ft³
<b>Weight (per LF)</b>	<b>7.5 lb</b>	<b>11.0605 lb</b>
Weight (per pack)	2833.6 lb	4424.2 lb
Installation Time (per LF)	2.85 seconds	40 seconds
Safety Features	Red Installation & Failure Gauge	none
Installation Tools	/	drill, drill bits, nails, screws, anchors, hammers, power, etc



90° gate opening



90° vertical access



Easy carrying and storage

## 2x4

